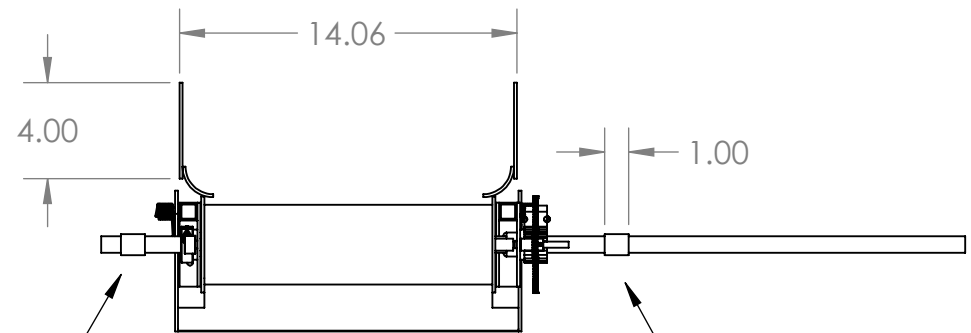


4

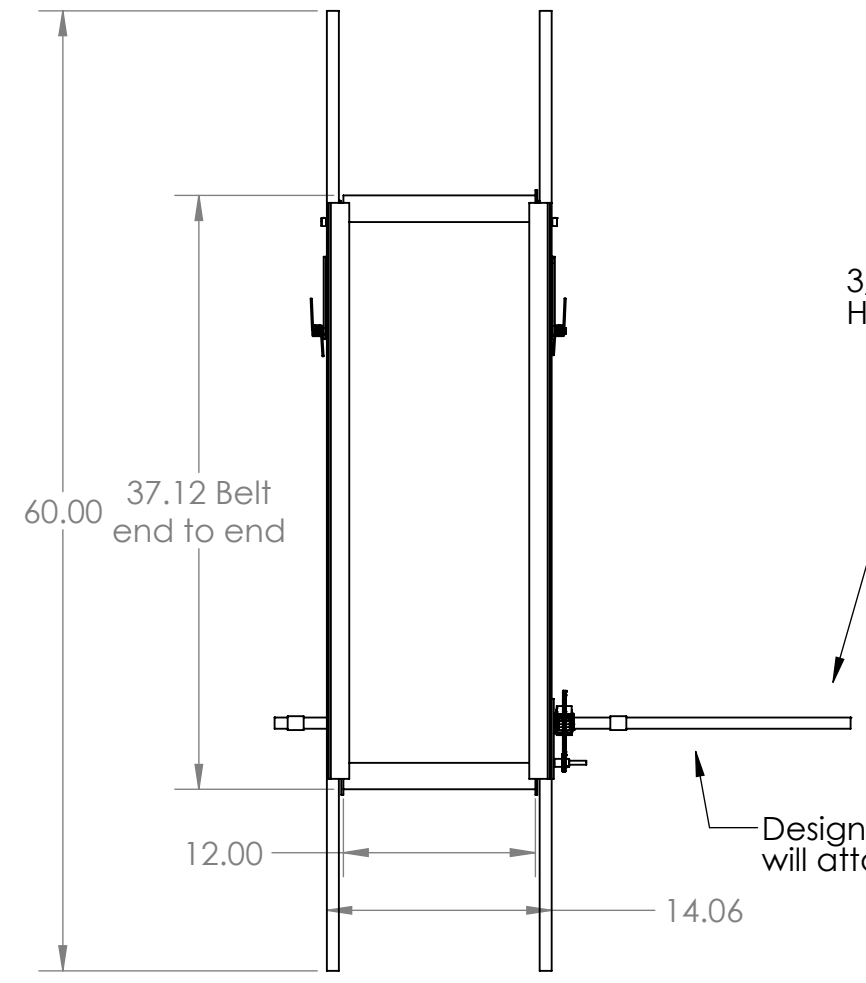
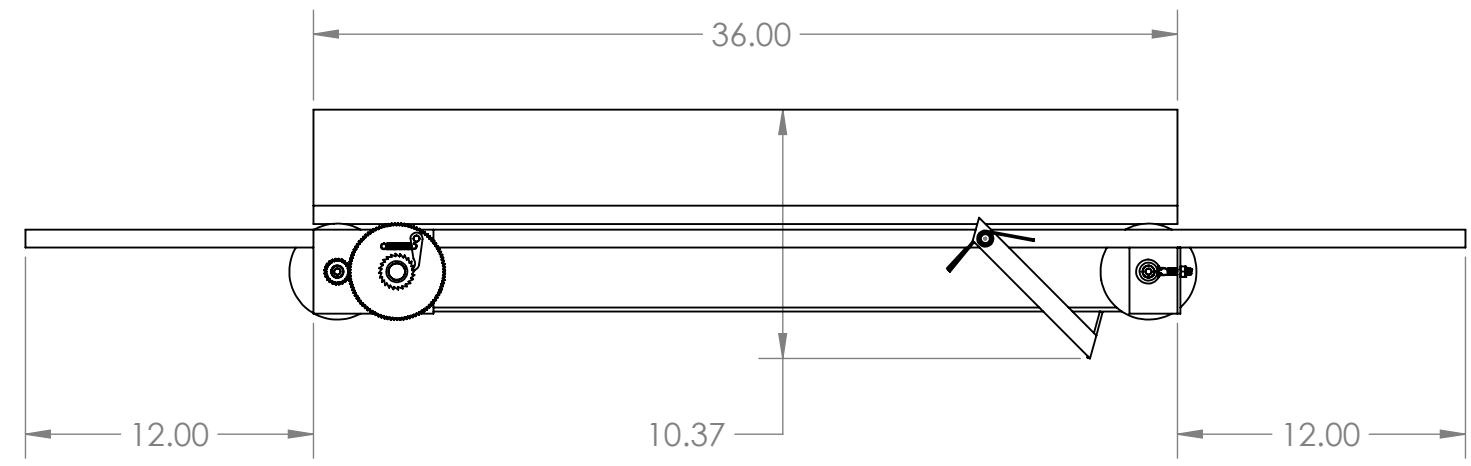
3

2

1



7/8" OD Bushings must be mounted through 2x4 or other structural support  
Should be press fit  
Can be positioned anywhere along shaft

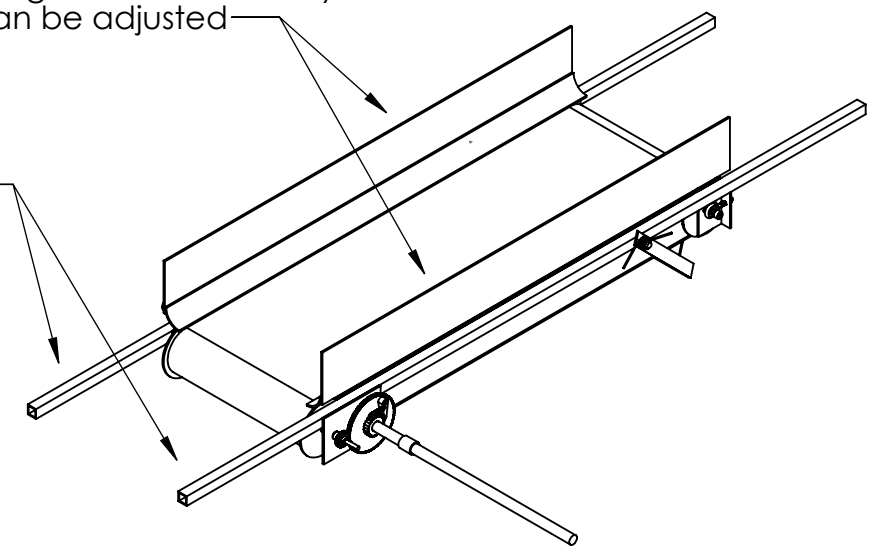


3/4" Square Tubing  
Holes can be wherever and can be bolted

Plastic side guards are currently 4" high, can be adjusted

Shaft length can be adjusted

Designer Foot Pedel will attach somewhere here



**PROPRIETARY AND CONFIDENTIAL**  
THE INFORMATION CONTAINED IN THIS DRAWING IS THE SOLE PROPERTY OF <INSERT COMPANY NAME HERE>. ANY REPRODUCTION IN PART OR AS A WHOLE WITHOUT THE WRITTEN PERMISSION OF <INSERT COMPANY NAME HERE> IS PROHIBITED.

		UNLESS OTHERWISE SPECIFIED:	NAME	DATE		
		DIMENSIONS ARE IN INCHES	DRAWN	EL		
		TOLERANCES:	CHECKED		TITLE:	
		FRACTIONAL ±	ENG APPR.			
		ANGULAR: MACH ± BEND ±	MFG APPR.			
		TWO PLACE DECIMAL ±	Q.A.			
		THREE PLACE DECIMAL ±	COMMENTS:			
		INTERPRET GEOMETRIC TOLERANCING PER:				SIZE
		MATERIAL				DWG. NO.
		FINISH				REV
NEXT ASSY	USED ON					<b>B</b>
APPLICATION		DO NOT SCALE DRAWING				Conveyor Belt
		SCALE: 1:4		WEIGHT:		SHEET 1 OF 1

4

3

2

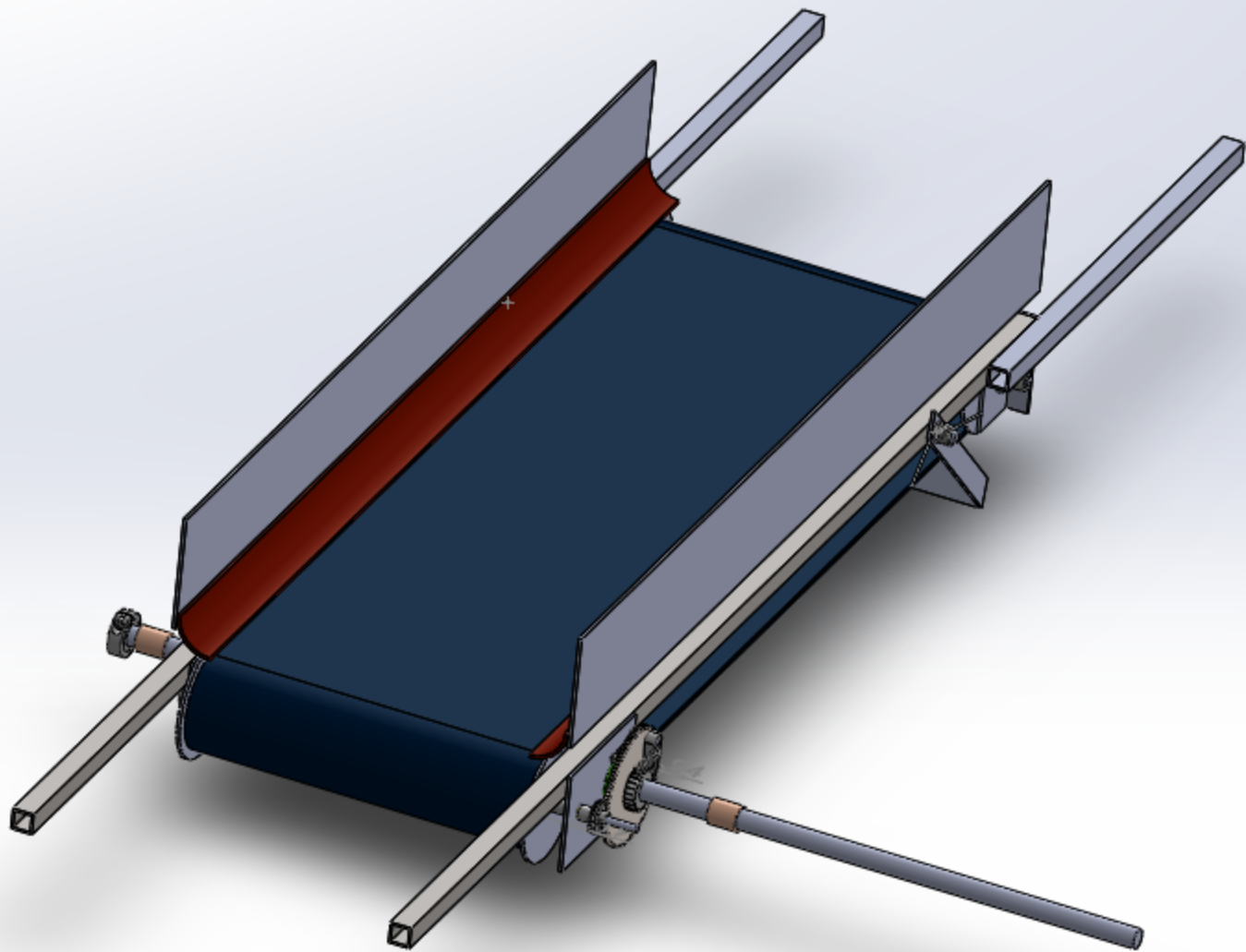
1

B

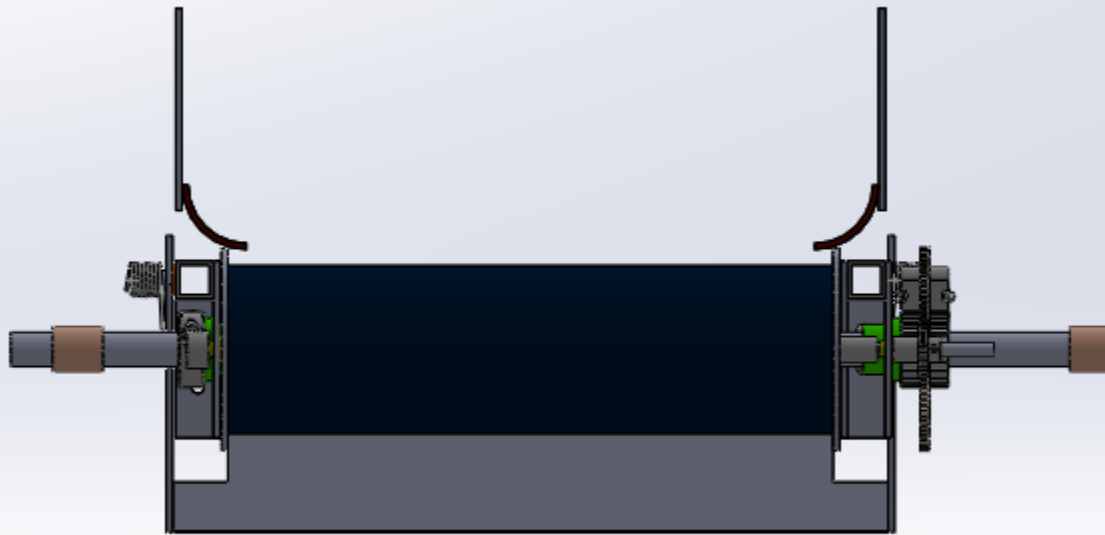
B

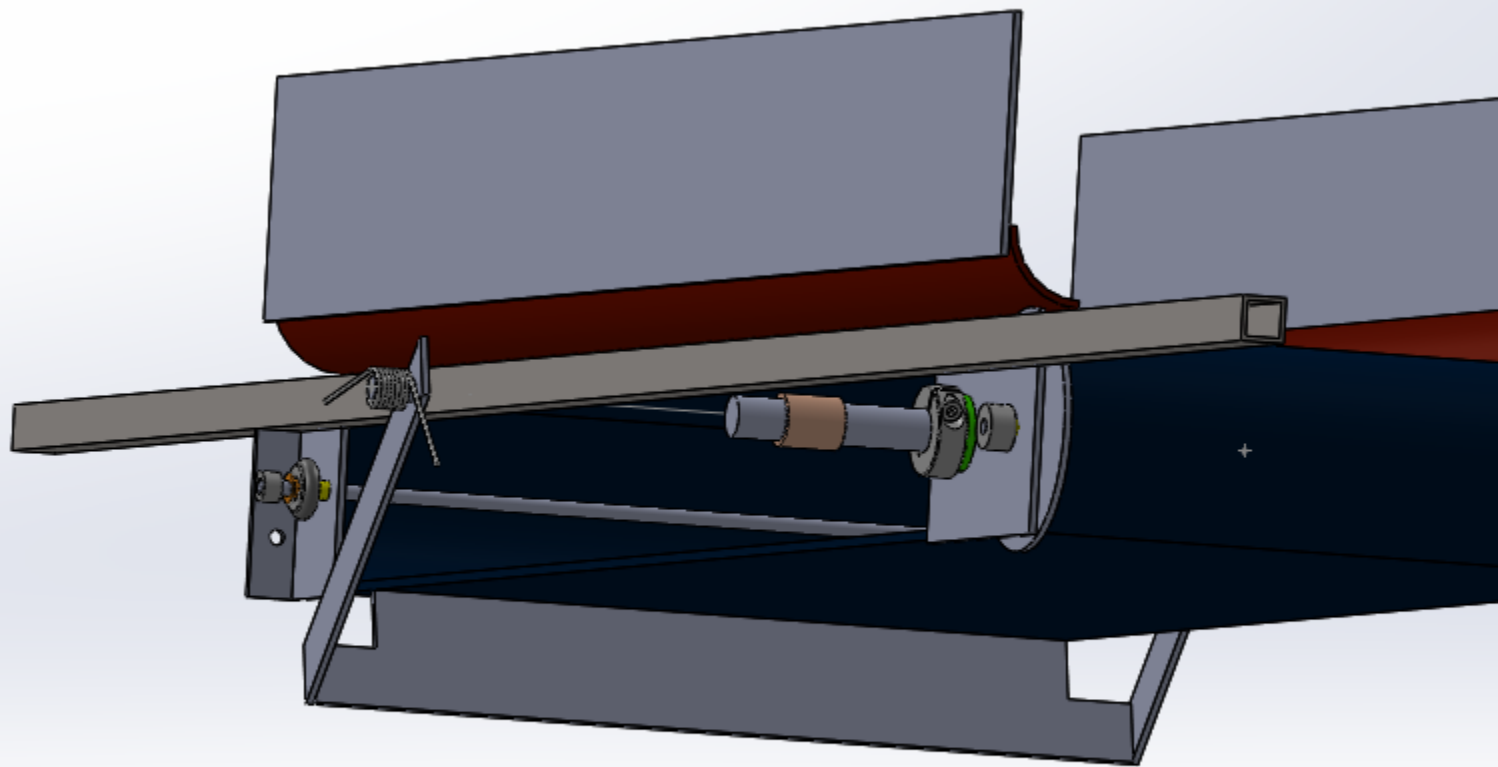
A

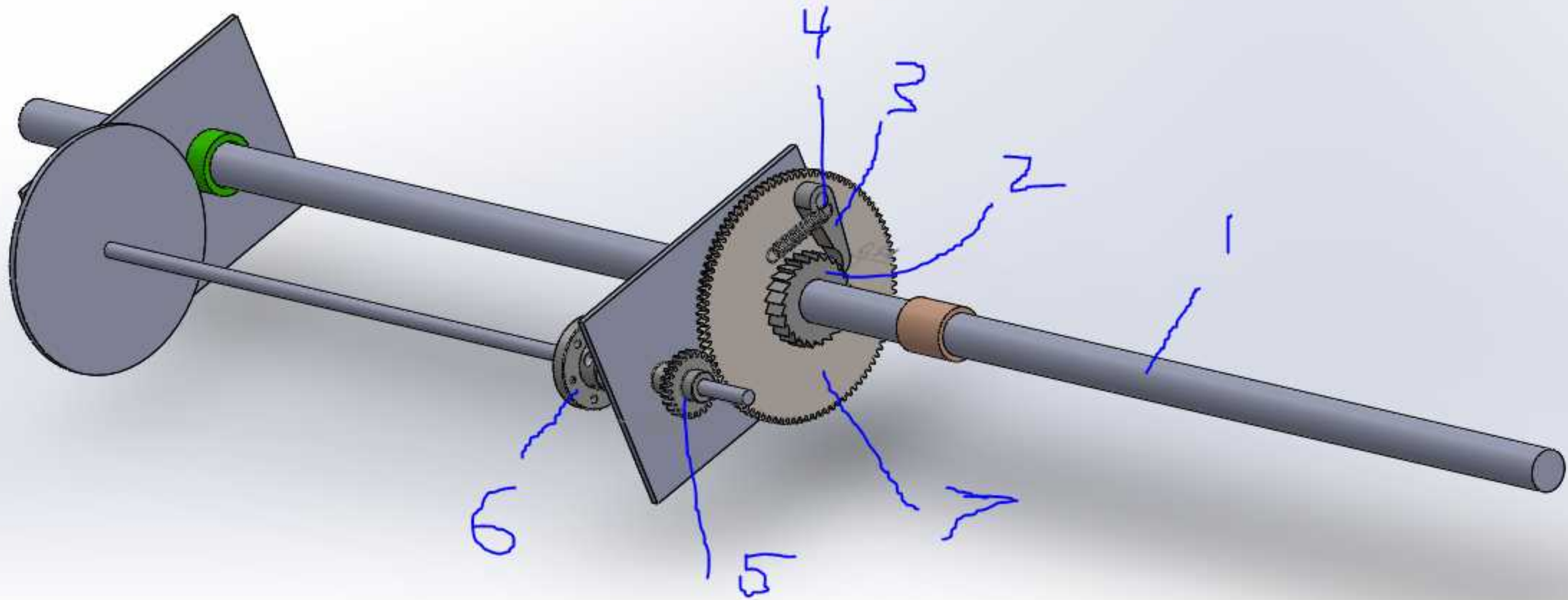
A







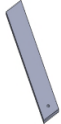
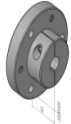


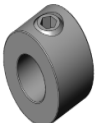


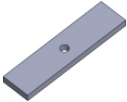

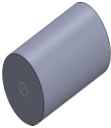


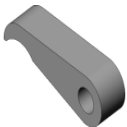


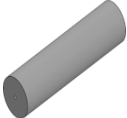
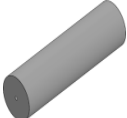





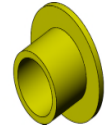




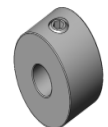



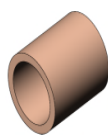
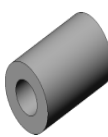


BOM Part Number	File Name	Thumbnail	Quantity
		Outhouse-Parts-1	
		20 Jun 2018; 20:36:52	
		fireaffinity@gmail.com	
		fireaffinity@gmail.com	
		Latest	

	0750 Rectangular Tube		1
	0250 Axle		2
	Support Plate		1
	ScrapersPaddle		1
	ScrapersSupports		2
9692T270_	FLANGED SHAFT COLLAR WITH MOUNTING HOLES		1
	Back Plate		2
3032T510_	316 SS EYEBOLT W NUT		2
9943K160_	SET SCREW SHAFT COLLAR		2

Tensioner Plate		2
9287K222_302 STAINLESS STEEL TORSION SPRING		1
Spring Roller		2
9287K221_302 STAINLESS STEEL TORSION SPRING		1
6283K240_RATCHETING GEAR		2
6283K320_RATCHETING GEAR		2
Pedal Shaft		1
94135K600_302 STAINLESS STEEL EXTENSION SPRING		2
Back Cylinder		1
Front Cylinder		1
Cylinder Inserts		1



27K405_CHEMICAL-RESISTANT DRY-RUNNING SLEEVE BEARI		4
90107A127_TYPE 316 STAINLESS STEEL FLAT WASHER		2
27K406_CHEMICAL-RESISTANT DRY-RUNNING SLEEVE BEARI		2
spur gear_ai		1
Gear Back Plate		2
60475K660_SET SCREW SHAFT COLLAR		3
Skirt Plastic		2
rubber skirt		2
Alignment Disks		4
6391K638_OIL-EMBEDDED SLEEVE BEARING		2
94729A255_POLYPRO UNTHRD SPACERS		1

J5T390_LIGHT DUTY DRY-RUNNING FLANGED SLEEVE BEARII		2
Belt1-1^Outhouse		1
6832K620_HT-LOAD MTL GEAR--20 DEG PRESSURE ANGLE		1
90138A570_316 STAINLESS STEEL UNTHREADED SPACER		1
Pawl Shaft		1

BOM Part Number	Desc1
-----------------	-------

GMT

n  
n

15ft

18"

12"x2"

12"x2"

9684T27

Clamp-On

6"x6"

3032T51

Eyebolt with Nut

9943K16

Set Screw

2"x6"

9287K222

Type 302 Stainless Steel

Custom

9287K221

Type 302 Stainless Steel

6283K24

Ratcheting

6283K32

Pawl for Ratcheting

1497K51

94135K6

Corrosion-Resistant

8745K18

6627K405 Chemical-Resistant Dry-Running

90107A127 General Purpose

6627K406 Chemical-Resistant Dry-Running

Inch - Spur gear 24DP 95T 20PA 0.1875FW ---S95N3.0H2.0L0.75N

Custom 6"x6"

6435K71 Set Screw

8619K739

2614T24

9352K11

6391K638 Oil-Embedded

94729A255 Unthreaded

2705T39

Light Duty Dry-Running

[1646N168](#)

6832K62

Corrosion-Resistant High-Load

90138A570

316 Stainless Steel

C

Desc2	Material	Supplier
	Cold Rolled Steel	metalSupermarket
	12L14 Carbon Steel	metalSupermarket
		metalSupermarket
n contact with waste, should be SS	SS 316	metalSupermarket
n contact with waste, should be SS	SS 316	metalSupermarket
Shaft Collar with Mounting Holes	Carbon Steel	McMasterCarr
WaterJet Cut	Carbon Steel	metalSupermarket
- For Lifting		McMasterCarr
Shaft Collar	Carbon Steel	McMasterCarr

Machined	Carbon Steel	metalSupermarket
120° Left-Hand Torsion Spring	SS 316	McMasterCarr
	Polyester	McMasterCarr
120° Right-Hand Torsion Spring	SS 316	McMasterCarr
Gear	SS 316	McMasterCarr
Gears	SS 316	McMasterCarr
	1045 Carbon Steel	McMasterCarr
Extension Spring	SS 316	McMasterCarr
	PVC	McMasterCarr
	PVC	McMasterCarr
	PVC	McMasterCarr



Flanged Sleeve Bearing	PEEK	McMasterCarr
Washer	SS 316	McMasterCarr
Flanged Sleeve Bearing	PEEK	McMasterCarr
	Carbon Steel	MetalSupermarket
WaterJet Cut	Low Carbon Steel	metalSupermarket
Shaft Collar	Carbon Steel	McMasterCarr
	HDPE	metalSupermarket
	Silicone	McMasterCarr
	UHMW	McMasterCarr
Sleeve Bearing	SAE 841 Bronze Bearings	McMasterCarr
Spacer	LDPE	McMasterCarr

Flanged Sleeve Bearing

Acetal

McMasterCarr

Black PVC

McMasterCarr

Metal Gear - 20° Pressure Angle

SS 316

McMasterCarr

Unthreaded Spacer

SS 316

McMasterCarr

Carbon Steel

metalSupermarket

**Price per unit**

**Machining Cost**

Total CAD (after Tax)

Total (CAD)

Total (USD)

\$50

10.79

10

16.35

10

16.35

10

41.69

23

10

5

2

6

4.31

2.5

4.31

37.11

46.54

31.95

6.92

33.68

33.68

3.19

5.1

8.8

8.74

50

15

23

10

2.6

3.04

4.49

12.84

4.33

7

7.56

206.74

17.75

4.69

3

**Total**

\$1,604.42

\$1,432.52

\$1,085

\$50

\$22

\$10

\$26

\$43

\$42

\$56

\$10

\$4

\$12

\$4

\$5

\$4

\$74

\$93

\$32

\$14

\$34

\$34

\$3



\$20

\$18

\$17

\$65

\$56

\$8

\$6

\$9

\$51

\$9

\$7

\$15

\$207

\$18

\$5

\$3